

Legend :

- Power
- IN Power Input
- OUT Power Output
- Ground
- GPIO Digital External
- Analog External
- Main Part
- Secondary Part
- Internal Component
- Other Pins (Reset, System Control, Debugging)
- I2C
- SPI
- UART/USART
- Other SERIAL Communication
- Analog
- PWM/Timer
- D Default
- D Default
- D Default
- D Default
- LED LED
- RGB LED RGB LED
- Other Other

i CIP0/COPI have previously been referred to as MISO/MOSI



SKU code: ABX00087
Full Pinout - Page 1 of 4
Last update: 23 Apr, 2025

DOCS . ARDUINO . CC

This work is licensed under the Creative Commons Attribution-ShareAlike 4.0 International License. To view a copy of this license, visit <http://creativecommons.org/licenses/by-sa/4.0/> or send a letter to Creative Commons, PO Box 1866, Mountain View, CA 94042, USA.

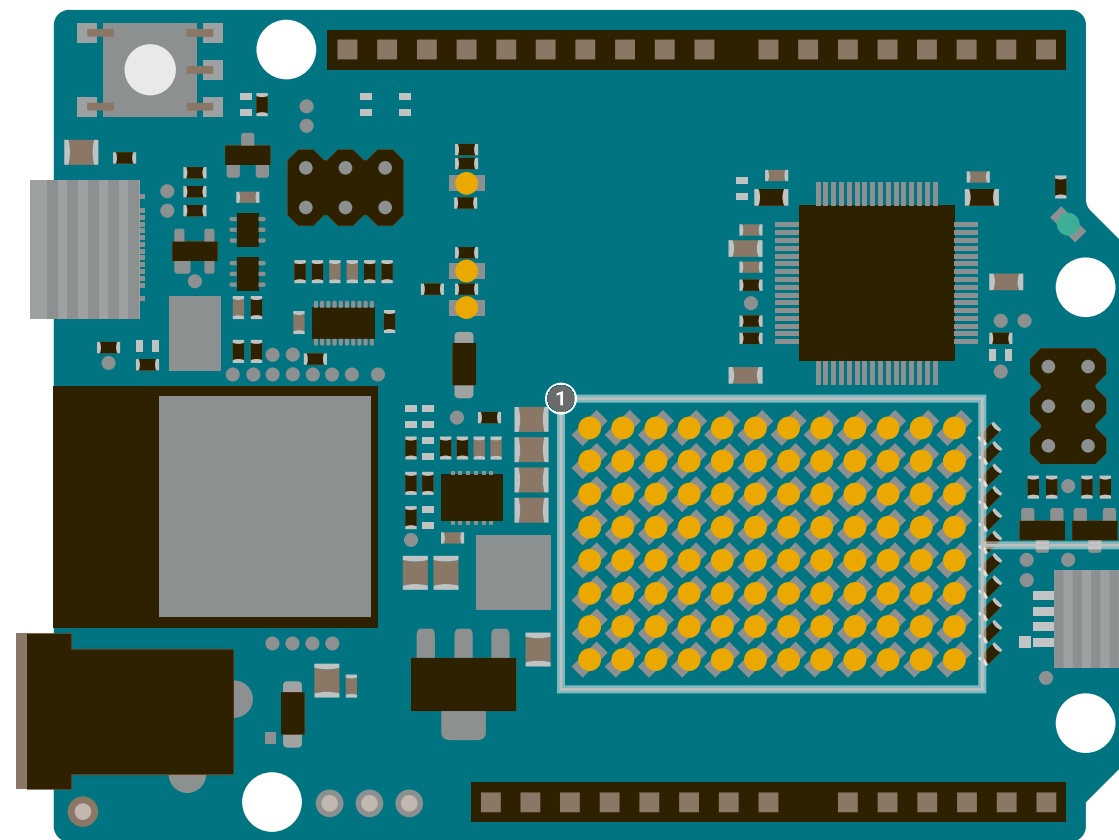
WARNING!

Advanced Section

The following information is for advanced use only and may not be officially supported by Arduino software



LED Matrix 8x12



1	2	3	4	5	6	7	8	9	10	11	12
13	14	15	16	17	18	19	20	21	22	23	24
25	26	27	28	29	30	31	32	33	34	35	36
37	38	39	40	41	42	43	44	45	46	47	48
49	50	51	52	53	54	55	56	57	58	59	60
61	62	63	64	65	66	67	68	69	70	71	72
73	74	75	76	77	78	79	80	81	82	83	84
85	86	87	88	89	90	91	92	93	94	95	96

Legend:

■ Power
■ Ground

IN Power Input
OUT Power Output

■ GPIO Digital External
□ Analog External
■ Main Part
■ Secondary Part
■ Internal Component
■ Other Pins (Reset, System Control, Debugging)

■ I2C
■ SPI
■ UART/USART
□ Other SERIAL Communication
■ Analog
□ PWM/Timer

D Default
D Default
D Default
D Default

LED LED
● RGB LED
□ Other

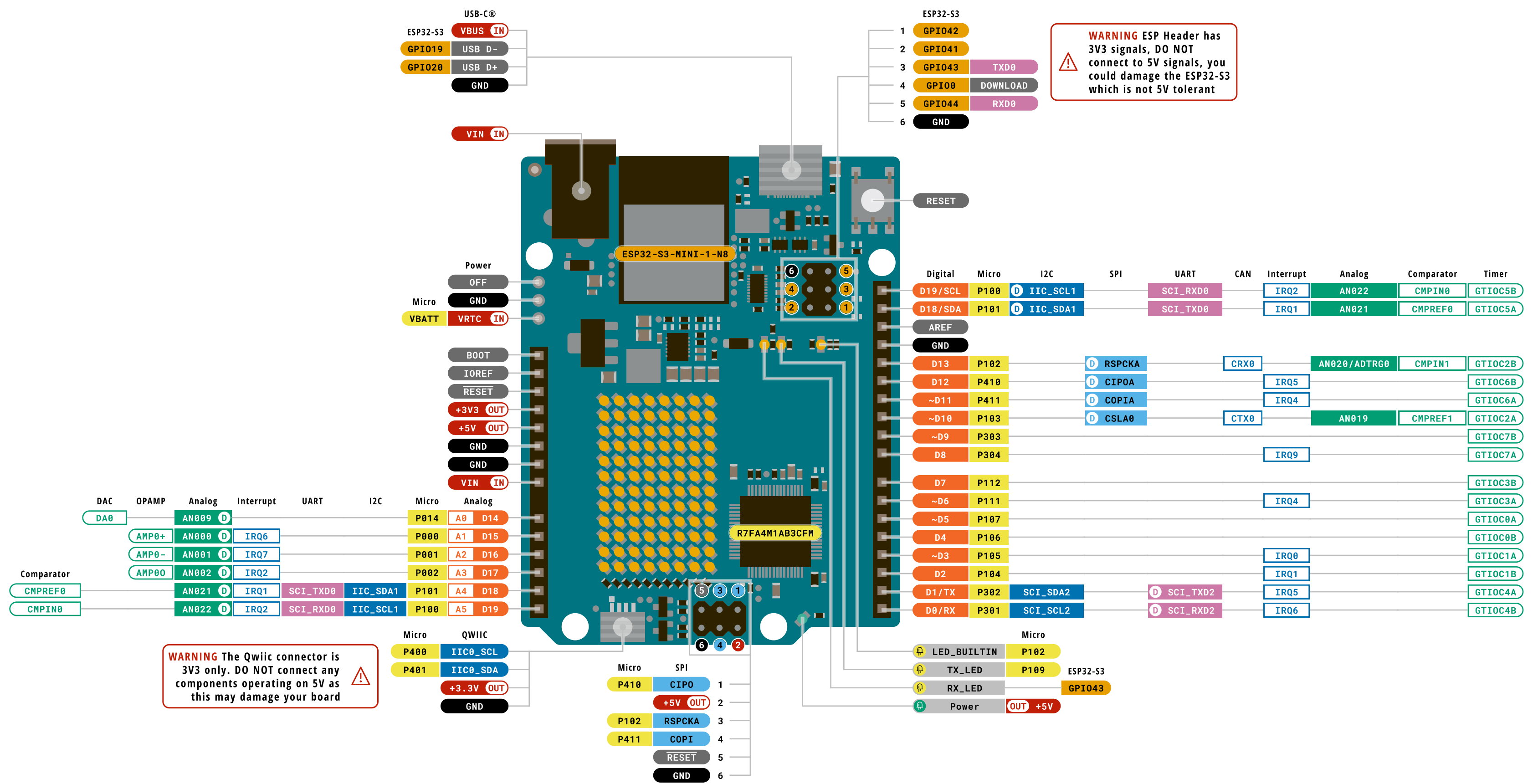
i CIP0/COPI have previously been referred to as MISO/MOSI



SKU code: ABX00087
 Full Pinout - Page 3 of 4
 Last update: 23 Apr, 2025

DOCS . ARDUINO . CC This work is licensed under the Creative Commons Attribution-ShareAlike 4.0 International License. To view a copy of this license, visit <http://creativecommons.org/licenses/by-sa/4.0/> or send a letter to Creative Commons, PO Box 1866, Mountain View, CA 94042, USA.





WARNING ESP Header has 3V3 signals, DO NOT connect to 5V signals, you could damage the ESP32-S3 which is not 5V tolerant

WARNING The Qwiic connector is 3V3 only. DO NOT connect any components operating on 5V as this may damage your board

Legend:

- Power: ■ Power Input (IN), ■ Power Output (OUT)
- Ground: ■ Ground
- GPIO Digital External: ■ GPIO Digital External
- Analog External: ■ Analog External
- Main Part: ■ Main Part
- Secondary Part: ■ Secondary Part
- Internal Component: ■ Internal Component
- Other Pins (Reset, System Control, Debugging): ■ Other Pins (Reset, System Control, Debugging)
- I2C: ■ I2C
- SPI: ■ SPI
- UART/USART: ■ UART/USART
- Other SERIAL Communication: ■ Other SERIAL Communication
- Analog: ■ Analog
- PWM/Timer: ■ PWM/Timer
- Default: D Default
- Default: D Default
- Default: D Default
- Default: D Default
- LED: ■ LED
- RGB LED: ■ RGB LED
- Other: Other

i CIP0/COPI have previously been referred to as MISO/MOSI

ARDUINO

UNO R4
WiFi BOARD

SKU code: ABX00087
Full Pinout - Page 4 of 4
Last update: 23 Apr, 2025

DOCS.ARDUINO.CC

This work is licensed under the Creative Commons Attribution-ShareAlike 4.0 International License. To view a copy of this license, visit <http://creativecommons.org/licenses/by-sa/4.0/> or send a letter to Creative Commons, PO Box 1866, Mountain View, CA 94042, USA.