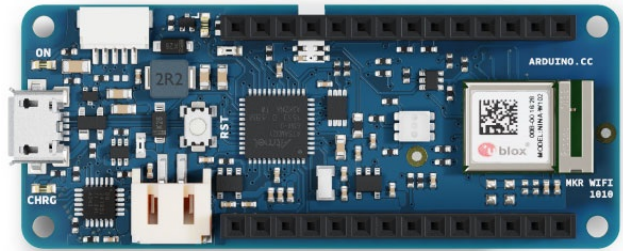


User Manual
SKU: ABX00023



Description

The Arduino® MKR WiFi 1010 is a miniature sized module containing a SAMD21G18A Processor, the Nina W102 Module and a crypto chip (the ATECC508).

Target Areas

Prototyping, IoT application examples

Features

▪ SAMD21G18A

▪ Processor

- Arm® Cortex®-M0+ at up to 48 MHz
- 256 kB Flash
- 32 kB SRAM
- Power On Reset (POR) and Brown Out Detection (BOD)

▪ Peripherals

- 12 channel DMA
- 12 channel event system
- 5x 16 bit Timer/Counter
- 3x 24 bit timer/counter with extended functions
- 32 bit RTC
- Watchdog Timer
- CRC-32 generator
- Full speed Host/Device USB with 8 end points
- 6x SERCOM (USART, I2C, SPI, LIN)
- Two channel I2S
- 12 bit 350ksps ADC (up to 16 bit with oversampling)
- 10 bit 350ksps DAC
- External Interrupt Controller (up to 16 lines)

▪ ATECC508 Crypto Chip

- Cryptographic co-processor with secure hardware based key storage
- Protected storage for up to 16 keys, certificates or data
- ECDH: FIPS SP800-56A Elliptic Curve Diffie-Hellman
- ECDSA: FIPS186-3 Elliptic Curve Digital Signature Algorithm
- NIST standard P256 elliptic curve support
- SHA-256 & HMAC hash including off-chip context save/restore



- **Nina W102 Module**

- Dual Core Tensilica LX6 CPU at up to 240MHz

- **Wi-Fi®**

- IEEE 802.11b up to 11Mbit
- IEEE 802.11g up to 54MBit
- IEEE 802.11n up to 72MBit
- 2.4 GHz, 13 channels
- 96 dBm sensitivity

- **Bluetooth® BR/EDR**

- Max 7 Clients
- 2.4 GHz, 79 channels
- Up to 3 Mbit/s
- -88 dBm sensitivity
- Bluetooth® Low Energy
- Bluetooth® 5.0 dual mode
- 2.4GHz 40 channels
- -88 dBm sensitivity
- Up to 1 Mbit/s

- **BQ24125L I2C Controlled USB/Adapter Charger**

- 92% Charge Efficiency at 2 A, 90% at 4 A
- Autonomous Battery Charging
- 2.5-A Fast Charging



Contents

1 The Board	6
1.1 Application Examples	6
2 Ratings	6
2.1 Recommended Operating Conditions	6
2.2 Power Consumption	7
3 Functional Overview	7
3.1 Processor	7
3.2 Wi-Fi® Module	8
3.3 Wi-Fi®/Bluetooth® Communication Module	8
3.4 Crypto Chips	8
3.5 Power Tree	8
4 Board Operation	9
4.1 Getting Started - IDE	9
4.2 Getting Started - Arduino Cloud Editor	9
4.3 Getting Started - Arduino Cloud	9
4.4 Arduino Forum	9
4.5 Online Resources	9
4.6 Board Recovery	9
5 Connector Pinouts	10
5.1 USB	10
5.2 Headers	10
5.3 Debug	11
6 Mechanical Information	11
6.1 Board Outline	11
6.2 Mounting Holes	12
6.3 Connector Positions	12
7 Certifications	13
7.1 Declaration of Conformity CE DoC (EU)	13
7.2 Declaration of Conformity to EU RoHS & REACH 211 01/19/2021	13
7.3 Conflict Minerals Declaration	14
7.4 FCC Caution	14
8 Company Information	15
9 Reference Documentation	15



10 Revision History

16

1 The Board

Like most Arduino MKR form factor boards the MKR WiFi 1010 can be powered via USB, via headers or connecting a Lithium or Lithium Polymer battery to the embedded battery charger (the BQ24195L).

NOTE: MKR WiFi 1010 battery charger has a minimum of 512 mA charge current. Please ensure this charging is compatible with the battery you will be using.

NOTE: MKR WiFi 1010 only supports 3.3 V I/Os and is NOT 5 V tolerant.

Please make sure you are not directly connecting 5 V signals to this board, or it will be damaged.

Also the 5V pin does NOT supply voltage but is rather connected, through a jumper, to the USB power input.

1.1 Application Examples

Bluetooth®: The communications chipset on the MKR WiFi 1010 is something pretty unique in the world of microcontroller platforms, since this can be both a Bluetooth® LE and Bluetooth® client and host device.

Wi-Fi®: The Wi-Fi® connectivity is performed with a module from u-blox®, the NINA-W10, a low power chipset operating in the 2.4GHz range.

IoT: Whether you are looking at building a sensor network connected to your office or home router, or if you want to create a BLE device sending data to a cell phone, the MKR WiFi 1010 is your one-stop-solution for many of the basic IoT application scenarios.

2 Ratings

2.1 Recommended Operating Conditions

Symbol	Description	Min	Max
	Conservative thermal limits for the whole board:	-40 °C	85 °C

2.2 Power Consumption

Symbol	Description	Min	Typ	Max	Unit
V_{IN_Max}	Maximum input voltage from VIN pad	-0.3	-	5.5	V
V_{USB_Max}	Maximum input voltage from USB connector	-0.3	-	5.5	V
P_{Max}	Maximum power consumption	-	-	TBC	mW

3 Functional Overview

3.1 Processor

The Main Processor is a Arm® Cortex®-M0+ running at up to 48 MHz.

Most of its pins are connected to the external headers, however some are reserved for internal communication to the communication module and to the internal SPI and I2C peripherals (Crypto). Communication with NINA Module W102 happens through UART and SPI through the following pins.

Pin	Acronym	NINA Pin	Acronym	Description
21	PA12	36	GPIO12	SPI MOSI
22	PA13	21	SPIV_DI	NINA_MISO
23	PA14	28	SPIV_CS	SPI CS
24	PA15	29	SPIV_CLK	SPI CLK
39	PA27	27	GPIO0	NINA_GPIO0
7	PB08	19	RESET	NINA RESET
41	PA28	7	GPIO_33	NINA_ACK
23	PA14	21	UART_CTS	NINA_CS
24	PA15	20	UART_CTS	NINA_SCK
38	PB23	22	UART_RXD	Serial1_RX
37	PA22	23	UART_TXD	Serial1_TX

3.2 Wi-Fi® Module

3.3 Wi-Fi®/Bluetooth® Communication Module

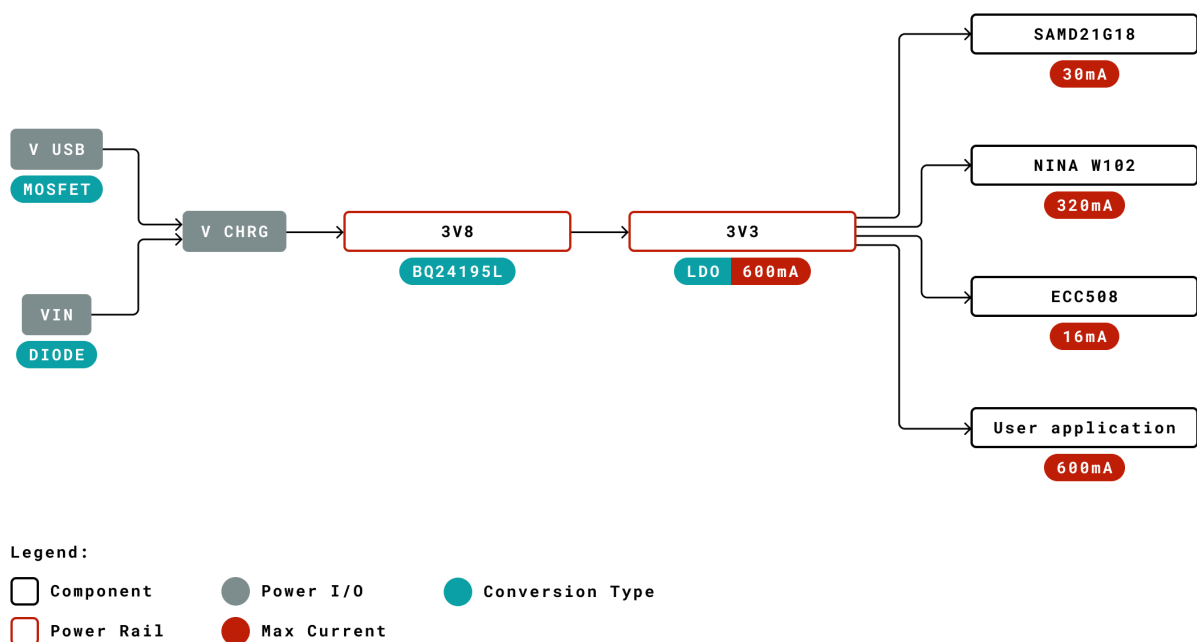
Nina W102 is based on ESP32 and is delivered with a pre-certified software stack from Arduino. Source code for the firmware is available [1].

NOTE: Reprogramming the wireless module's firmware with a custom one will invalidate compliance with radio standards as certified by Arduino, hence this is not recommended unless the application is used in private laboratories far from other electronic equipment and people. Usage of custom firmware on radio modules is the sole responsibility of the user.

3.4 Crypto Chips

The crypto chip in Arduino IoT boards is what makes the difference with other less secure boards as it provides a secure way to store secrets such as certificates and it also allows accelerating secure protocols while never exposing secrets in plain text.

3.5 Power Tree



MKR WiFi 1010 Power Tree

4 Board Operation

4.1 Getting Started - IDE

If you want to program your MKR WiFi 1010 while offline you need to install the Arduino Desktop IDE [2] To connect the MKR WiFi 1010 to your computer, you'll need a micro-B USB cable. This also provides power to the board, as indicated by the LED.

4.2 Getting Started - Arduino Cloud Editor

All Arduino boards, including this one, work out-of-the-box on the Arduino Cloud Editor [3], by just installing a simple plugin.

The Arduino Cloud Editor is hosted online, therefore it will always be up-to-date with the latest features and support for all boards. Follow [4] to start coding on the browser and upload your sketches onto your board.

4.3 Getting Started - Arduino Cloud

All Arduino IoT enabled products are supported on Arduino Cloud which allows you to Log, graph and analyze sensor data, trigger events, and automate your home or business.

4.4 Arduino Forum

Discussions and ideas for the MKR WiFi 1010 can be found in the Arduino Forum [5].

4.5 Online Resources

Now that you have gone through the basics of what you can do with the board you can explore the endless possibilities it provides by checking exciting projects on Arduino Project Hub [6], the Arduino Library Reference [7] and the online store [8] where you will be able to complement your board with sensors, actuators and more.

4.6 Board Recovery

All Arduino boards have a built-in bootloader which allows flashing the board via USB. In case a sketch locks up the processor and the board is not reachable anymore via USB it is possible to enter bootloader mode by double-tapping the reset button right after power up.

5 Connector Pinouts

5.1 USB

Pin	Function	Type	Description
1	VUSB	Power	Power Supply Input. Output is powered via VUSB from header
2	D-	Differential	USB differential data -
3	D+	Differential	USB differential data +
4	ID	Analog	Selects Host/Device functionality
5	GND	Power	Supply Ground

NOTE: This board can support USB host mode only if powered via the VUSB pin and if the jumper close to the VUSB pin is shorted.

5.2 Headers

Board exposes two 28 pin connectors assembled with pin headers.

Pin	Function	Type	Description
1	AREF	Analog	Analog Reference.
2	A0/DAC0	Analog	ADC in/DAC out, Can be used as GPIO
3	A1	Analog	ADC in, Can be used as GPIO
4	A2	Analog	ADC in, Can be used as GPIO
5	A3	Analog	ADC in, Can be used as GPIO
6	A4/SDA	Analog	ADC in, I2C SDA, Can be used as GPIO
7	A5/SCL	Analog	ADC in, I2C SCL, Can be used as GPIO
8	A6	Analog	ADC in, Can be used as GPIO
9	D0	Digital	GPIO, can be used as PWM
10	D1		GPIO, can be used as PWM
11	D2/PWM	Digital	GPIO, can be used as PWM
12	D3/PWM	Digital	GPIO, can be used as PWM
13	D4/PWM	Digital	GPIO, can be used as PWM
14	D5/PWM	Digital	GPIO, can be used as PWM
15	D6	Digital	GPIO, can be used as PWM
16	D7	Digital	GPIO can be used as PWM
17	D8/MOSI	Digital	SPI MOSI, can be used as GPIO, can be used as PWM
18	D9/SCK	Digital	SPI SCK, can be used as GPIO, can be used as PWM
19	D10/MISO	Digital	SPI MISO, can be used as GPIO
20	D11/SDA	Digital	I2C SDA, can be used as GPIO
21	D12/SCL	Digital	I2C SCL, can be used as GPIO
22	D13/RX	Digital	USART RX, can be used as GPIO
23	D14/TX	Digital	USART TX, can be used as GPIO
24	RESETN	Digital	Reset input
25	GND	Power	Power Ground
26	+3V3	Power Out	

Pin	Function	Type	Description
27	VIN	Power In	Vin Power input
28	+5V	Power Out	

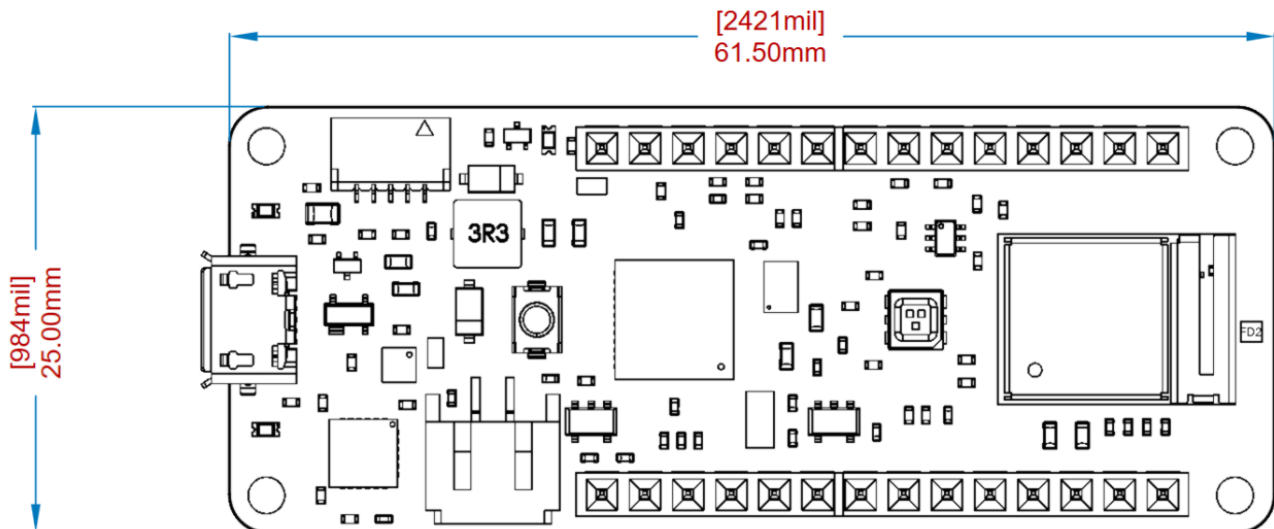
5.3 Debug

Pin	Function	Type	Description
1	+3V3	Power Out	
2	SWD	Digital	Single Wire Debug Data
3	RESETN	Digital In	Processor Reset
4	SWCLK	Digital In	Single Wire Debug Clock
5	GND	Power	

6 Mechanical Information

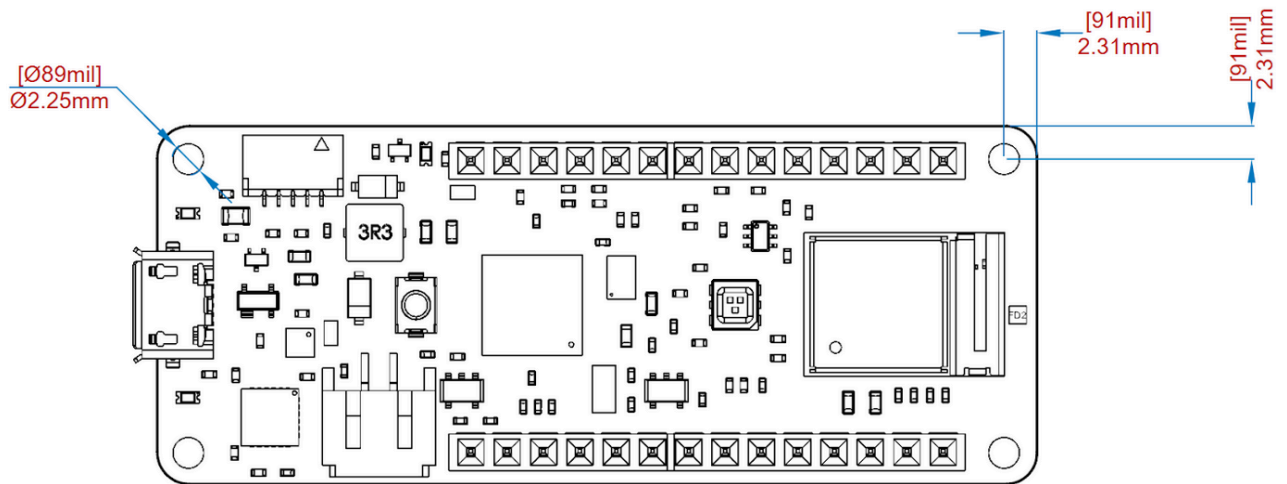
Board measures are mixed between metric and imperial. Metric measures are used to maintain 100 mil pitch grid between pin rows to allow them to fit in a breadboard.

6.1 Board Outline



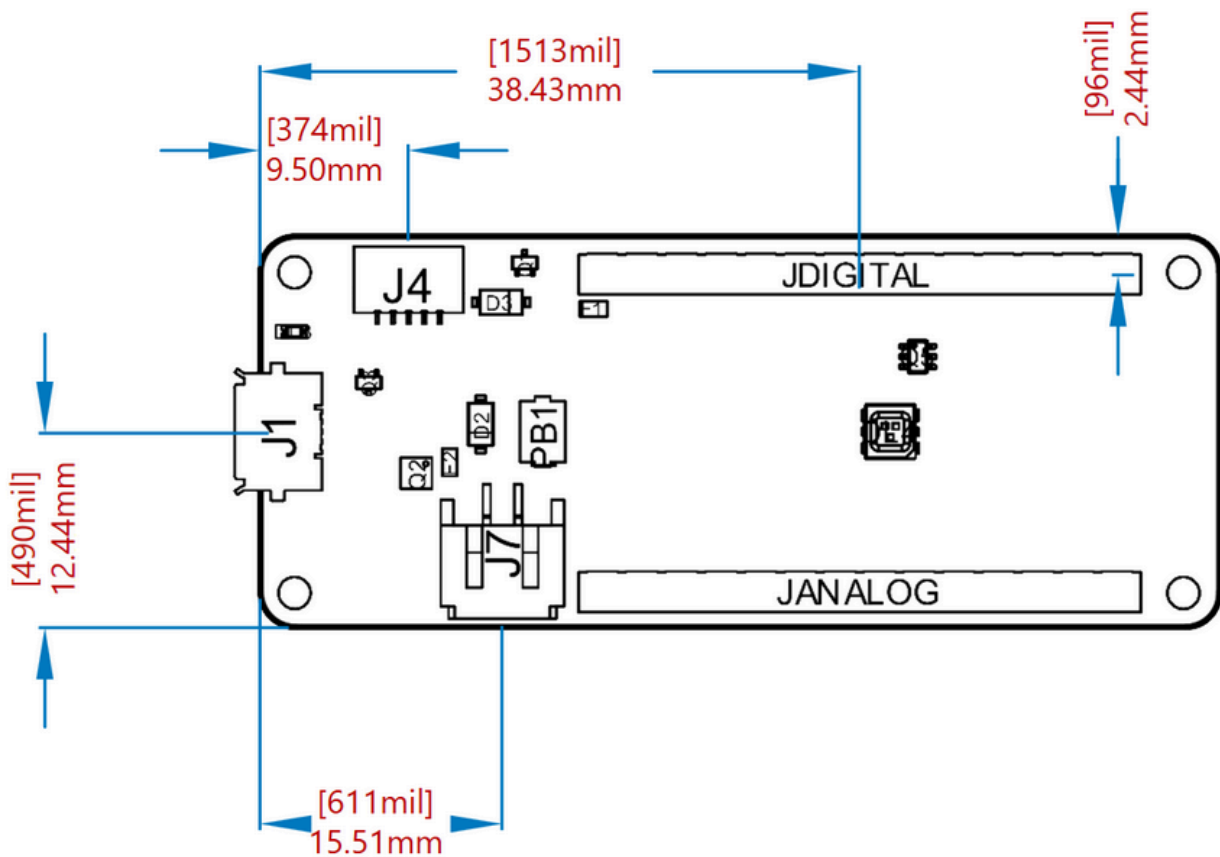
MKR WiFi 1010 Board Outline

6.2 Mounting Holes



MKR WiFi 1010 Mounting Holes

6.3 Connector Positions



MKR WiFi 1010 Connector Positions

7 Certifications

7.1 Declaration of Conformity CE DoC (EU)

We declare under our sole responsibility that the products above are in conformity with the essential requirements of the following EU Directives and therefore qualify for free movement within markets comprising the European Union (EU) and European Economic Area (EEA).

ROHS 2 Directive 2011/65/EU Conforms to: EN50581:2012

Directive 2014/35/EU. (LVD) Conforms to: EN 60950-1:2006/A11:2009/A1:2010/A12:2011/AC:2011

Directive 2004/40/EC & 2008/46/EC & 2013/35/EU, EMF Conforms to: EN 62311:2008

7.2 Declaration of Conformity to EU RoHS & REACH 211 01/19/2021

Arduino boards are in compliance with RoHS 2 Directive 2011/65/EU of the European Parliament and RoHS 3 Directive 2015/863/EU of the Council of 4 June 2015 on the restriction of the use of certain hazardous substances in electrical and electronic equipment.

Substance	Maximum Limit (ppm)
Lead (Pb)	1000
Cadmium (Cd)	100
Mercury (Hg)	1000
Hexavalent Chromium (Cr6+)	1000
Poly Brominated Biphenyls (PBB)	1000
Poly Brominated Diphenyl ethers (PBDE)	1000
Bis(2-Ethylhexyl} phthalate (DEHP)	1000
Benzyl butyl phthalate (BBP)	1000
Dibutyl phthalate (DBP)	1000
Diisobutyl phthalate (DIBP)	1000

Exemptions : No exemptions are claimed.

Arduino Boards are fully compliant with the related requirements of European Union Regulation (EC) 1907 /2006 concerning the Registration, Evaluation, Authorization and Restriction of Chemicals (REACH). We declare none of the SVHCs (<https://echa.europa.eu/web/guest/candidate-list-table>), the Candidate List of Substances of Very High Concern for authorization currently released by ECHA, is present in all products (and also package) in quantities totaling in a concentration equal or above 0.1%. To the best of our knowledge, we also declare that our products do not contain any of the substances listed on the "Authorization List" (Annex XIV of the REACH regulations) and Substances of Very High Concern (SVHC) in any significant amounts as specified by the Annex XVII of Candidate list published by ECHA (European Chemical Agency) 1907 /2006/EC.

7.3 Conflict Minerals Declaration

As a global supplier of electronic and electrical components, Arduino is aware of our obligations with regards to laws and regulations regarding Conflict Minerals, specifically the Dodd-Frank Wall Street Reform and Consumer Protection Act, Section 1502. Arduino does not directly source or process conflict minerals such as Tin, Tantalum, Tungsten, or Gold. Conflict minerals are contained in our products in the form of solder, or as a component in metal alloys. As part of our reasonable due diligence Arduino has contacted component suppliers within our supply chain to verify their continued compliance with the regulations. Based on the information received thus far we declare that our products contain Conflict Minerals sourced from conflict-free areas.

7.4 FCC Caution

Any Changes or modifications not expressly approved by the party responsible for compliance could void the user's authority to operate the equipment.

This device complies with part 15 of the FCC Rules. Operation is subject to the following two conditions:

- (1) This device may not cause harmful interference
- (2) this device must accept any interference received, including interference that may cause undesired operation.

FCC RF Radiation Exposure Statement:

1. This Transmitter must not be co-located or operating in conjunction with any other antenna or transmitter.
2. This equipment complies with RF radiation exposure limits set forth for an uncontrolled environment.
3. This equipment should be installed and operated with minimum distance 20cm between the radiator & your body.

English: User manuals for license-exempt radio apparatus shall contain the following or equivalent notice in a conspicuous location in the user manual or alternatively on the device or both. This device complies with Industry Canada license-exempt RSS standard(s). Operation is subject to the following two conditions:

- (1) this device may not cause interference
- (2) this device must accept any interference, including interference that may cause undesired operation of the device.

French: Le présent appareil est conforme aux CNR d'Industrie Canada applicables aux appareils radio exempts de licence. L'exploitation est autorisée aux deux conditions suivantes :

- (1) l'appareil n' doit pas produire de brouillage
- (2) l'utilisateur de l'appareil doit accepter tout brouillage radioélectrique subi, même si le brouillage est susceptible d'en compromettre le fonctionnement.

IC SAR Warning:

English This equipment should be installed and operated with minimum distance 20 cm between the radiator and your body.

French: Lors de l' installation et de l' exploitation de ce dispositif, la distance entre le radiateur et le corps est d' au moins 20 cm.



Important: The operating temperature of the EUT can't exceed 80°C and shouldn't be lower than -20°C.

Hereby, Arduino S.r.l. declares that this product is in compliance with essential requirements and other relevant provisions of Directive 2014/53/EU. This product is allowed to be used in all EU member states.

Frequency bands	Maximum output power (EIRP)
WiFi(2412-2472MHz)	14.49 dBm
BT EDR(2402-2480 MHz)	2.16 dBm
BT BLE(2402-2480 MHz)	1.24 dBm

8 Company Information

Company name	Arduino S.r.l.
Company Address	Via Andrea Appiani 25, 20900 MONZA, Italy

9 Reference Documentation

Ref	Link
NINA Firmware	https://github.com/arduino/nina-fw
Arduino IDE (Desktop)	https://www.arduino.cc/en/software
Arduino Cloud Editor	https://create.arduino.cc/editor
Arduino Cloud Editor - Getting Started	https://docs.arduino.cc/arduino-cloud/guides/editor/
Arduino Documentation	https://docs.arduino.cc/hardware/mkr-wifi-1010
Arduino Project Hub	https://create.arduino.cc/projecthub?by=part&part_id=11332&sort=trending
Library Reference	https://www.arduino.cc/reference/en/libraries/
Online Store	https://store.arduino.cc/



10 Revision History

Date	Revision	Changes
25/04/2024	5	Updated Wi-Fi module information
25/04/2024	4	Updated link to new Cloud Editor
27/09/2022	3	Rendering problems fixed
20/09/2022	2	Migration to Markdown, links updated, small typos fixed
22/03/2021	1	First Release